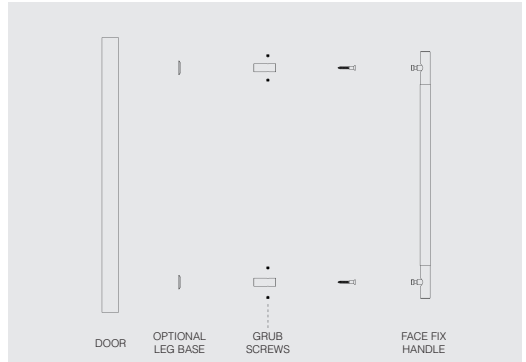
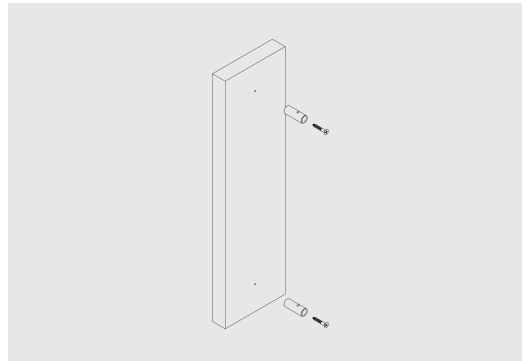


Solid Brass Pull Handle - Round Profile (FF)**Product codes**8354-FF, 8357-FF, 8360-FF, 8353-FF, 8356-FF,
8359-FF, 8355-FF, 8358-FF, 8361-FF**Includes** Pull Handle
FixingsOptional Leg Bases
Optional Glass Protective Hardware

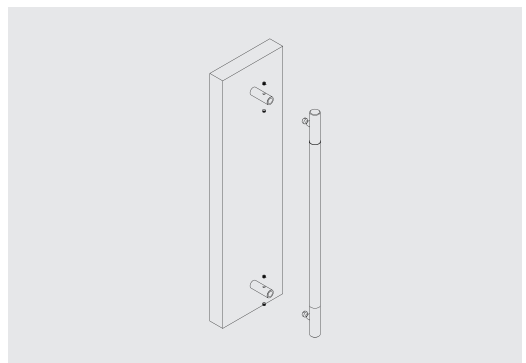
1. Take the face fixed Pull Handle apart by unscrewing the grub screws on both legs.

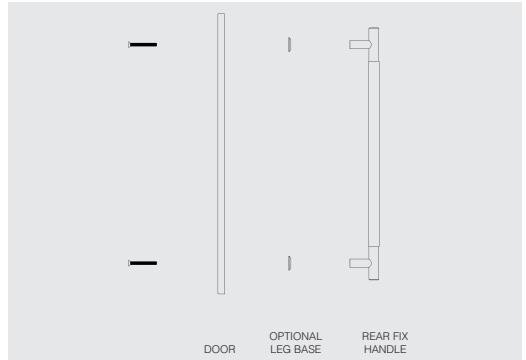


2. Mark the fixing position for the Pull Handle on the door. Ensure adequate space is provided for the clearance of knuckles on the door jamb.
3. Drill two pilot holes at vertical positions for the leg centres.
 - 450mm o/a handle - 390mm crs
 - 600mm o/a handle - 540mm crs
 - 900mm o/a handle - 840mm crs
4. Fix the front facing legs to the door using the two wood screws.



5. Insert the front fixed handle into the Pull Handle legs and secure it with the grub screws.



Solid Brass Pull Handle - Round Profile (RF)**Product codes**8354-RF, 8357-RF, 8360-RF, 8353-RF, 8356-RF,
8359-RF, 8355-RF, 8358-RF, 8361-RF**Includes** Pull Handle
FixingsOptional Leg Bases
Optional Glass Protective Hardware

1. Mark the fixing position for the Pull Handle on the door. Ensure adequate space is provided for the clearance of knuckles on the door jamb.
2. From the rear of the door drill two CKS holes for M6 fixings at vertical positions for the leg centres.
 - 450mm o/a handle - 390mm crs
 - 600mm o/a handle - 540mm crs
 - 900mm o/a handle - 840mm crs
3. Fix the handle in place using the two CKS fixings.

