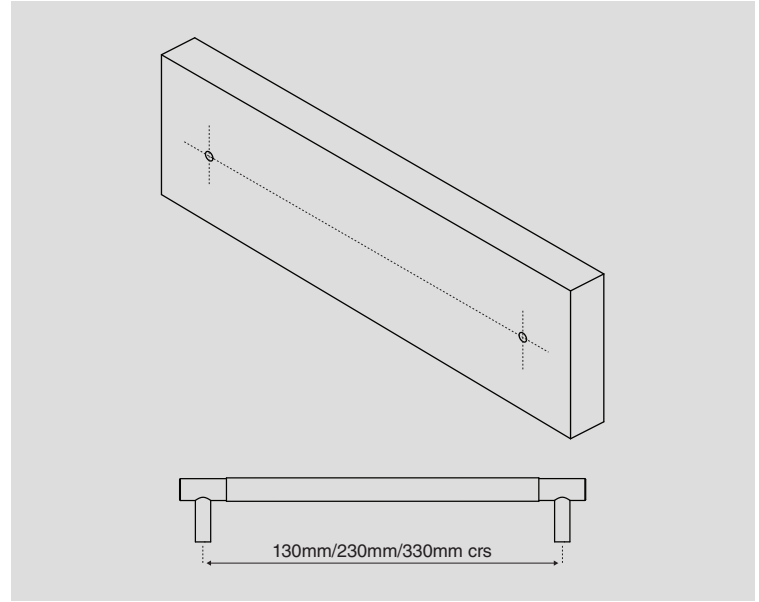
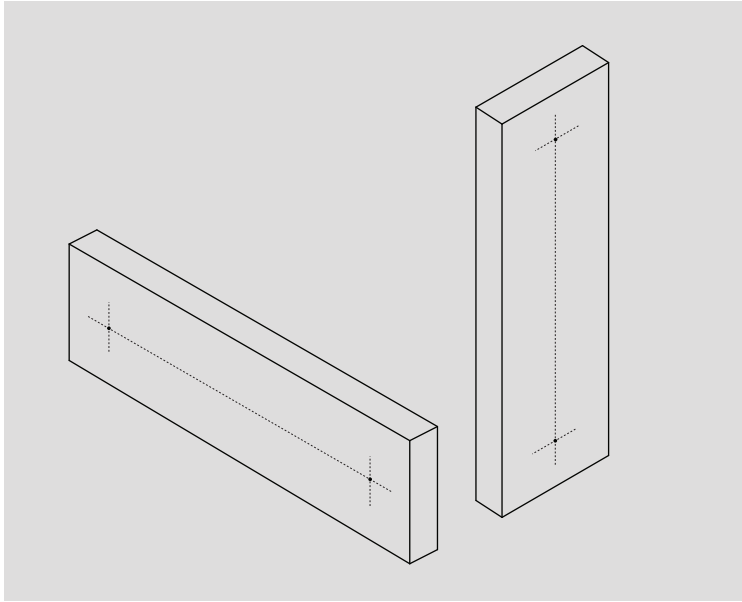


### BRASS CABINET HANDLES

|                |      |      |      |
|----------------|------|------|------|
|                | 6502 | 6503 | 6504 |
| Product codes: | 6508 | 6509 | 6510 |
|                | 6514 | 6515 | 6516 |



**Includes:**  
1x Cabinet Handle  
2x M5 Fixing Screws\*  
2x Washers  
2x Mounting Discs (optional)

**1.** Mark the fixing position for the cabinet handle on the door/drawer. They can be installed horizontally or vertically depending on the desired look.

Ensure adequate space is provided for clearance of knuckles when opening cabinetry.

**2.** Drill two 5.5mm diameter holes at the marked fixing positions for the leg centres.

**160mm Handles**

6502, 6508, 6514 - 130mm crs

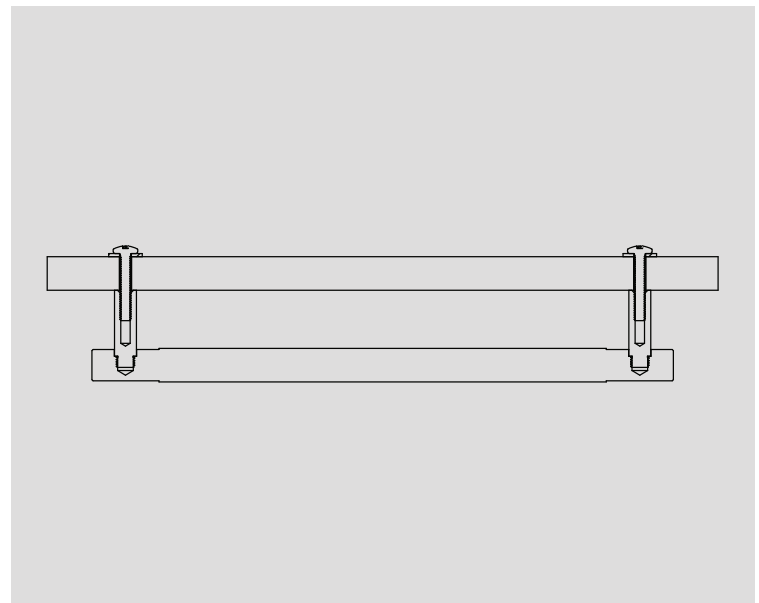
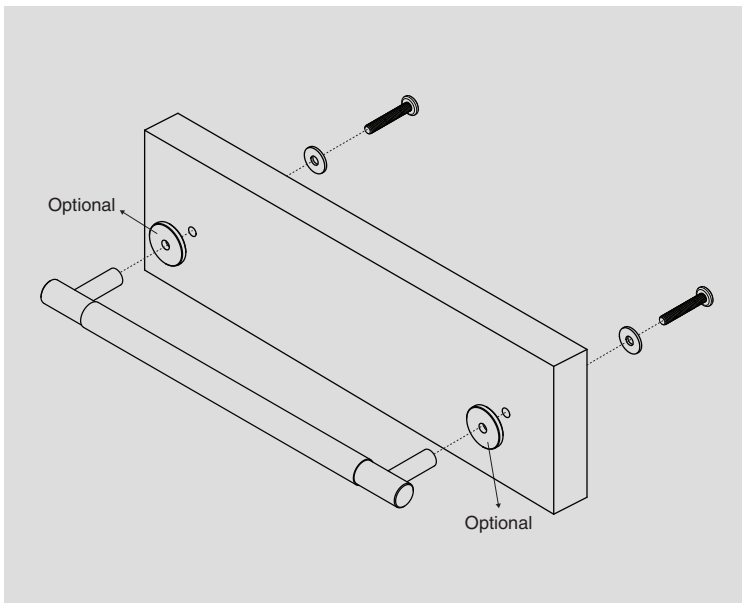
**260mm Handles**

6503, 6509, 6515 - 230mm crs

**360mm Handles**

6504, 6510, 6516 - 330mm crs

\* non standard cabinet thicknesses may require longer screws.



**3.** Hold the cabinet handle and align the legs with the pre-drilled 5.5mm diameter holes.

Insert two M5 fixing screws from the rear of the cabinet front, ensure washers are installed between the screw head and cabinet.

Install mounting discs (optional) between the cabinet handle leg and cabinet front.

Thread the screws into the cabinet handle legs and tighten using a screwdriver to fix in position.

**4.** Ensure that you do not overtighten the screws.