

Vector

Our Astron Series door furniture is perfect for the modern home.

Longplate

- 7105 Lever Set
- 7105L Standard Keyhole
- 7105-E48... Euro Keyhole
- 7105-E85... Euro Keyhole
- 7354 Passage Set
- 7364 Privacy Set
- 7109 Entrance Set

- > Passage Set
Includes Levers and 1131 Tubular Latch - 60mm backset
- > Privacy Set
Includes Levers, 1131 Tubular Latch (60mm backset) and 1120 Privacy Bolt and 8055 Turn & Release
- > Entrance Set
Includes Levers, Euro 85 Longplate, 1143 Euro Lockcase and 1148 Euro Cylinder and Turn

Astron



Specs

- > Constructed from zinc alloy
- > Suits door thicknesses of 32–50mm
- > For door thicknesses that exceed this, custom spindles and alternative fixings will need to be sourced
- > Suitable for interior and exterior use
- > Suitable for aluminium joinery
- > Compatible with 30mm lock backset

Installation

- > 60mm backset (see diagram)
- > 25mm spindle hole
- > Passage Set installation shown

Dimensions

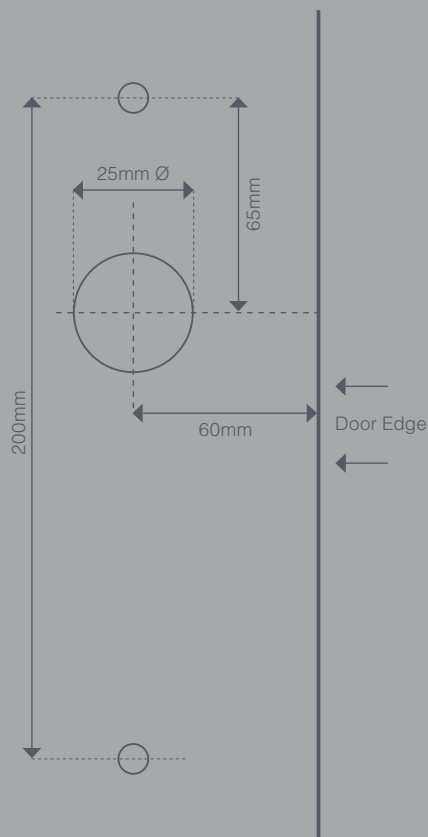
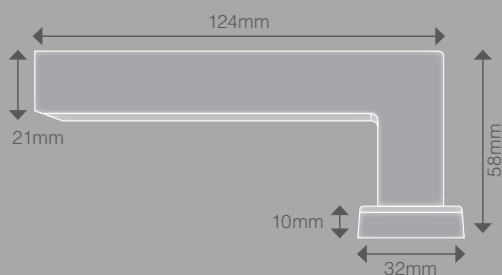


Diagram is not to scale, please refer to fitting instructions [here](#).

Finishes

Stocked

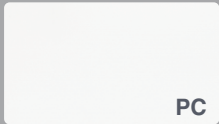


Brushed Nickel



Satin Chrome

Special



Powdercoat

> Colours are from the Dulux range

To view this handle style in each finish option, visit our [website](#) and enter any product code listed on page 1 of this document.

Care & Maintenance

Stocked Finishes

To protect your handles we suggest cleaning the surface of your hardware periodically with a warm soapy lightly dampened cloth to remove any build-up of dust and grime that may cause corrosion and affect the integrity of the finish. Then simply dry thoroughly with a clean, soft cloth. Minimum of monthly cleaning of door handles is recommended for both finish preservation and general hygiene.

Atmospheric conditions, salt deposits, acids, caustic agents, cement or dust on construction sites all have the potential to cause discolouration to the surface.

Please avoid using any metal polishes, abrasive cleaners, scorers or rough cloths that may damage or scratch the hardware and do not spray or immerse the hardware in liquid to clean.