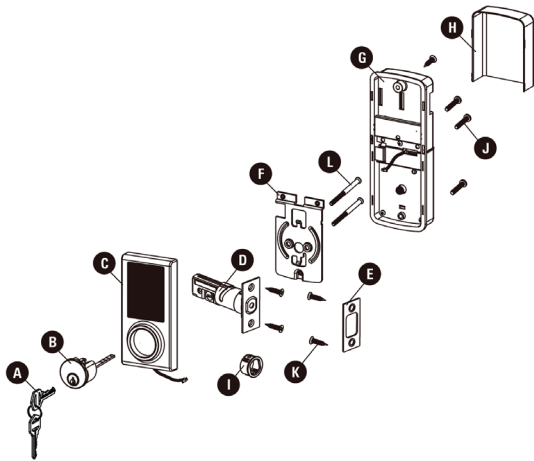


### TOUCHPAD ELECTRONIC DEADBOLT LOCK

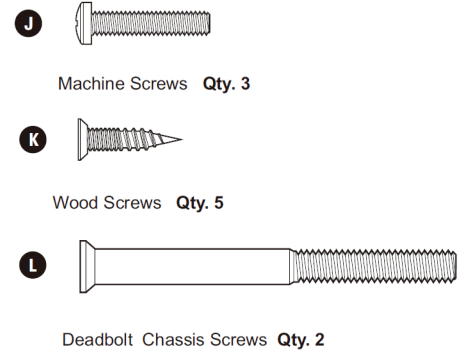
Product code: 1390

#### Package Contents



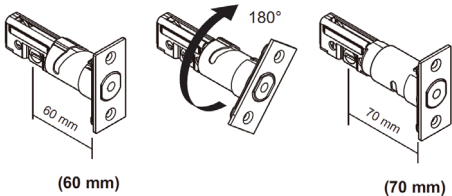
Part	Description	Quantity
A	Key	2
B	Cylinder	1
C	Deadbolt Touchpad	1
D	Deadbolt Latch	1
E	Striker Plate	1
F	Mounting Plate	1
G	Receiver	1
H	Battery Cover	1
I	Drive-in Sleeve	1

#### Screws

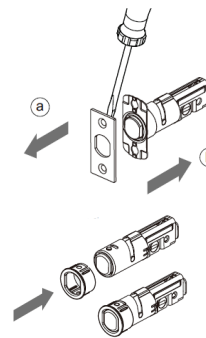


#### Installation

To view an easy to follow how-to video for installing this product visit [windsorhardware.co.nz/installation](http://windsorhardware.co.nz/installation)

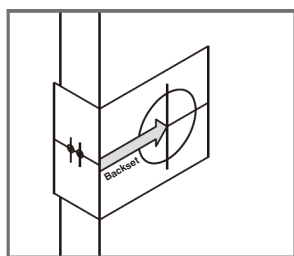


1. Adjust the latch to the desired backset (60mm or 70mm). Backset is the distance from the door edge to the centre of the hole on the door face. To adjust the latch to the 70mm backset, rotate the latch until it stops. Reverse the direction to return to the 60mm backset.

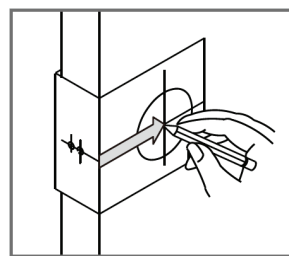


2. Determine which latch mounting method will be used (square plate or drive-in) and make the necessary adjustments. No adjustments are required for the square latch face plate.

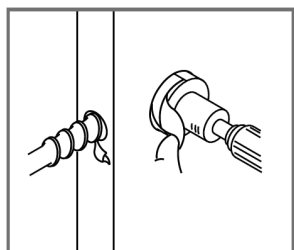
- Use a flat screwdriver to separate the face plate.
- Align the drive-in sleeve and snap it into the latch case.



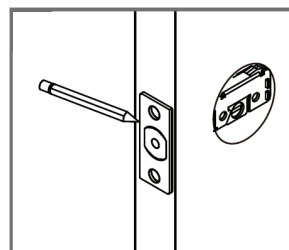
3. Establish the height and backset for the lock on the door.



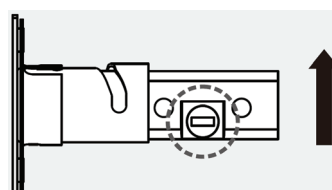
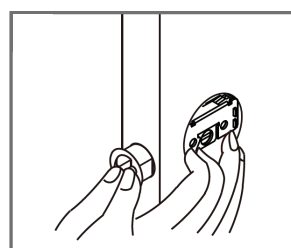
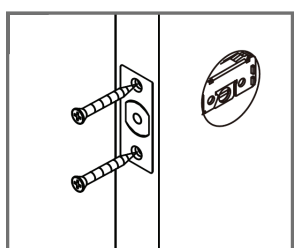
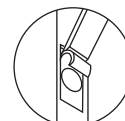
4. Use the template provided as an indication to mark the centre of the circle on the door face and the centre of the door edge.



5. Use the marks as a guide for drilling a 25mm (1") diameter hole through the door edge to a depth of at least 90mm. Ensure this hole is square to the door. Then drill a 54mm diameter hole through the door face for the lockset. We recommend using a 54mm hole saw. For clean cut-outs, drill from both sides, meeting in the middle of the door.



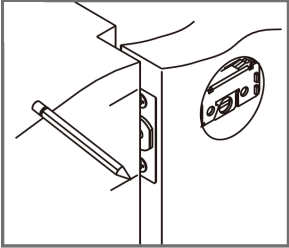
6. Insert the latch, scribe around the faceplate, remove, then chisel out 4mm deep recess to enable the latch faceplate to sit flush with the door edge.



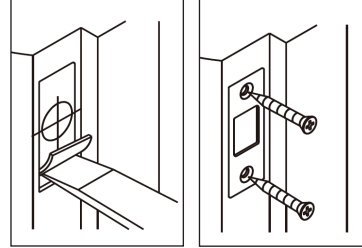
7. Remove any loose saw dust, insert the latch and secure it with the two wood screws provided. Make sure the cross is on the bottom of the latch. Please do not fully tighten the screws until the lock is completely installed. For the drive-in latch, drive the latch into the hole on the edge of the door.

### TOUCHPAD ELECTRONIC DEADBOLT LOCK

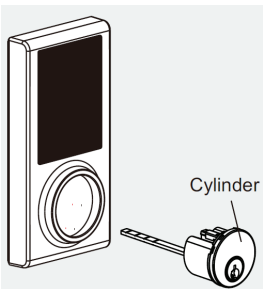
Product code: 1390



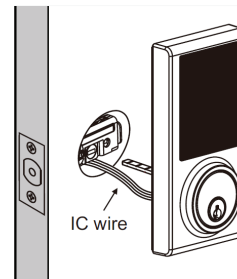
8. Close the door against the frame and mark the latch position for fitting of the striker.



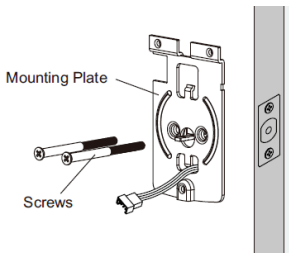
9. Measure one half of the door thickness from the door stop and vertically mark the centre line of the striker. Drill a 25mm (1") diameter hole, 25mm (1") deep at intersection of the horizontal and vertical lines. Chisel out a 2mm deep recess along the striker outline to allow the striker to sit flush against the doorframe. Secure the striker with the wood screws provided.



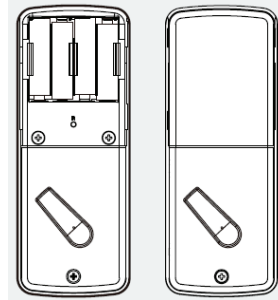
10. Install the cylinder into the deadbolt keypad with the tail piece in horizontal position inserted through the hub of the latch.



11. Pass the IC wire under the latch to the interior side of the door and insert the tail piece through the cross-shaped crank of the latch.

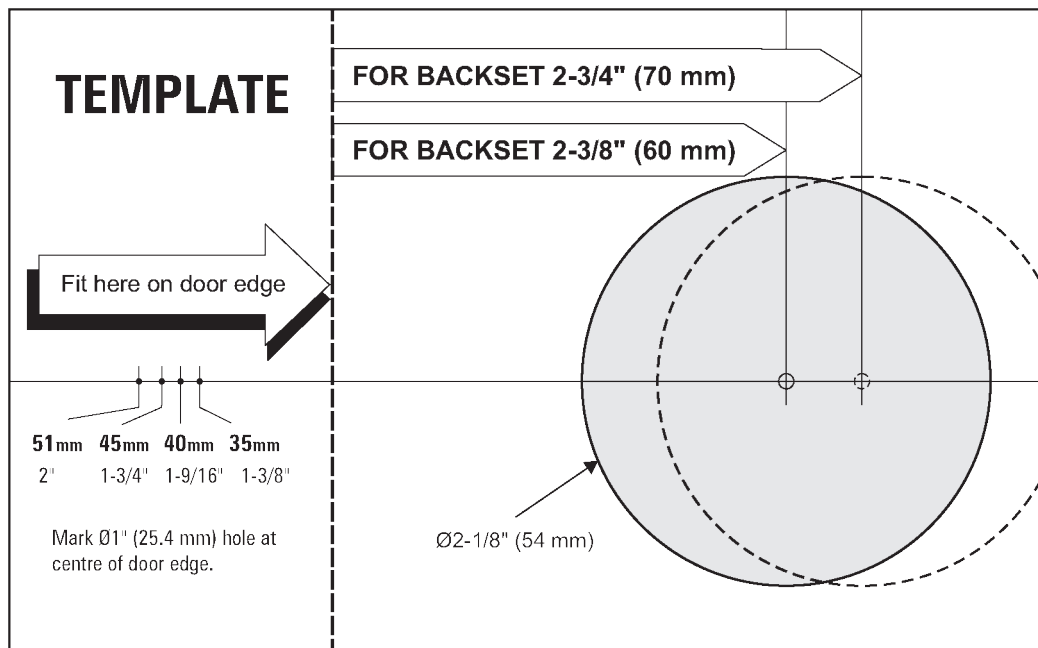


12. Pass the IC wire through the wire hole of the mounting plate on the interior side of the door. Fix the mounting plate with screws onto the door face. Make sure the deadbolt keypad on the outside is straight.



13. Insert 4 (AA) 1.5 V alkaline batteries and slide the battery cover onto the receiver module.

Notes:  
(1) Alkaline batteries are recommended in order to stabilise the power supply. If you do not use alkaline, battery performance will be reduced greatly.  
(2) All settings will be retained in the memory even if the batteries are completely dead.



PRINT AT 100% SCALE