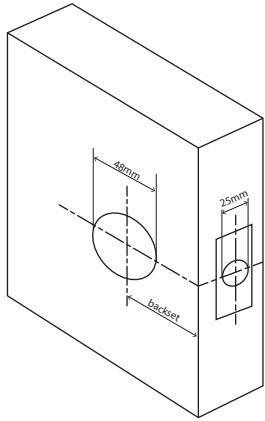


GALAXY PRIVACY SET

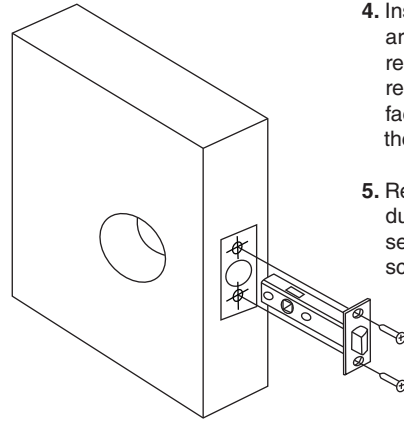
Product codes:
7203 | 7213 | 7223 | 7233

To view an easy to follow how-to video for installing this product visit windsorhardware.co.nz/installation.

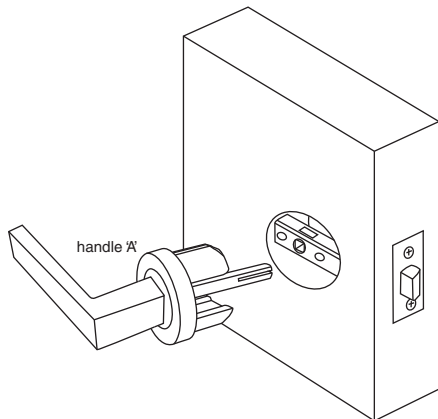
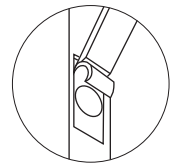
GALAXY PASSAGE SET



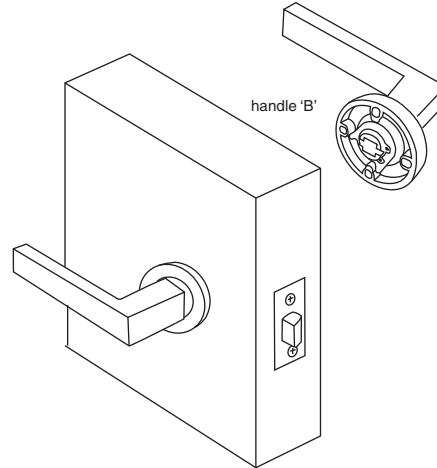
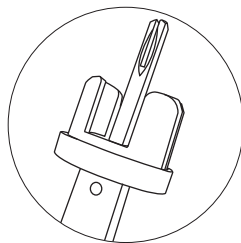
1. Measure the door thickness and mark the centre at the desired height for the latch.
2. Drill a 25mm (1") diameter hole through the door edge to a depth of at least 90mm. Ensure this hole is square to the door.
3. Mark the face of the door each side for drilling a 48mm diameter hole. The centre of the spindle hole will need to be 60mm from the door edge (backset). We recommend using a 48mm hole saw. For clean cut-outs, drill from both sides, meeting in the middle of the door.



4. Insert the latch, scribe around the faceplate, remove, then chisel out recess to enable the latch faceplate to sit flush with the door edge.
5. Remove any loose saw dust, insert the latch and secure it with the wood screws provided.



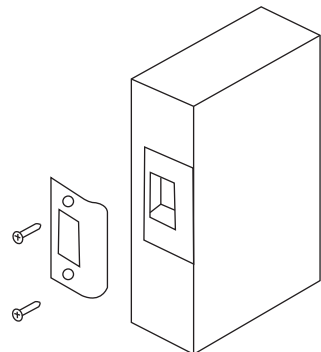
6. Insert handle 'A' in the 48mm hole with the spindle and rapidFIT® attached and press against the door. Ensure the grooved side of the spindle is aligned with the grub screws on the handles.



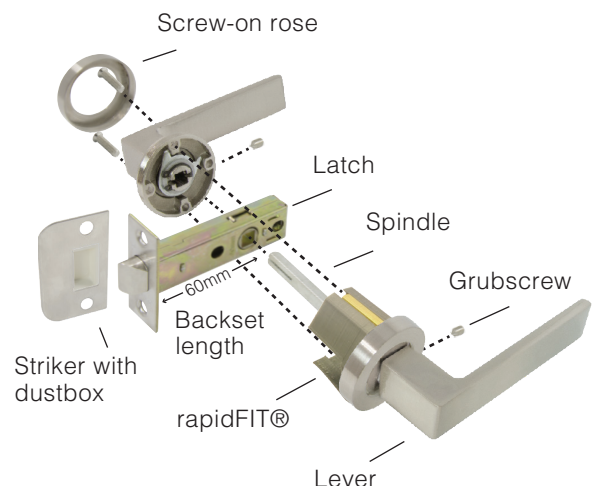
7. Insert 'handle B' over the spindle. Ensure the handles are straight before securing the through fixing screws.

8. Screw the rose cover onto the handle and tighten the grub screws on the side of the levers onto the spindle for each side of the door. For the square rose (Galaxy Elite) press on the rose cover and tighten the grub screw on the side of the rose.

Note: The grub screws may need a re-tighten after a bedding-in period. We recommend medium strength thread-lock to be used, Windsor code: 1276



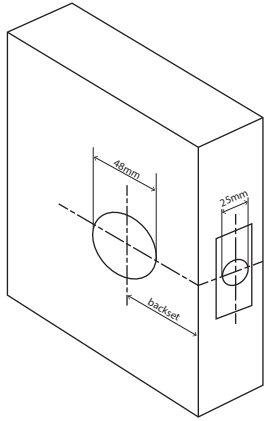
9. Close the door against the frame and mark the latch position for fitting of the striker.
10. Router or chisel so the striker fits flush, allowing for the plastic dustbox behind the striker.
11. Secure the striker with the wood screws provided. Test the door and if necessary, adjust the striker anti-rattle tab to take up any rattle.



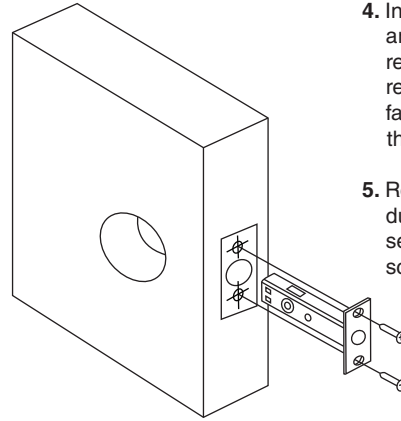
GALAXY PRIVACY SET

Product codes:
7203 | 7213 | 7223 | 7233

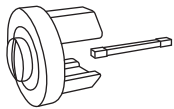
AUXILIARY PRIVACY SET



1. Measure the door thickness and mark the centre at the desired height for the bolt.
2. Drill a 25mm (1") diameter hole through the door edge to a depth of at least 90mm. Ensure this hole is square to the door.
3. Mark the face of the door each side for drilling a 48mm diameter hole. The centre of the spindle hole will need to be 60mm from the door edge (backset). We recommend using a 48mm hole saw. For clean cut-outs, drill from both sides, meeting in the middle of the door.

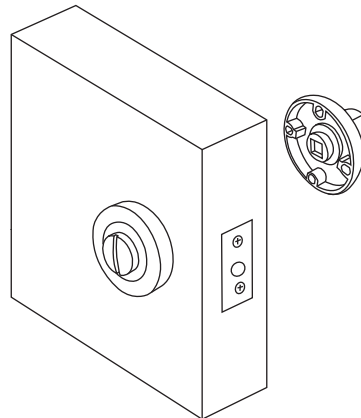
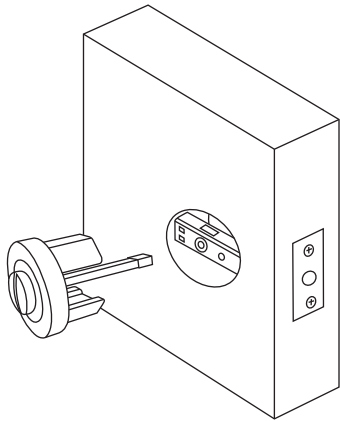


4. Insert the bolt, scribe around the faceplate, remove, then chisel out recess to enable the bolt faceplate to sit flush with the door edge.
5. Remove any loose saw dust, insert the latch and secure it with the wood screws provided.



6. Insert the spindle into the base of the release.

7. Insert the release, with the rapidFIT® and spindle attached, into the 48mm hole and press against the door.



8. Insert the turn over the spindle. Ensure the turn and release are straight before securing the through fixing screws.

9. Screw the rose cover onto the turn and tighten the grubscrew onto the spindle. For the square rose press on the rose cover and tighten the grubscrew on the side of the rose.

Note: The grubscrews may need a re-tighten after a bedding-in period. We recommend medium strength thread-lock to be used, Windsor code:1276

10. Close the door against the frame with the bolt extended and mark the bolt position for fitting of the striker.

11. Router or chisel so the striker fits flush.

12. Secure the striker with the wood screws provided.

