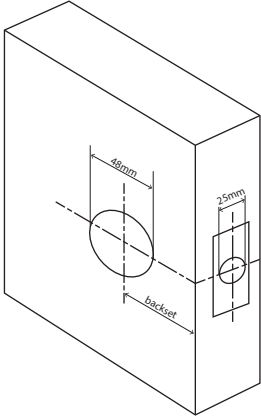


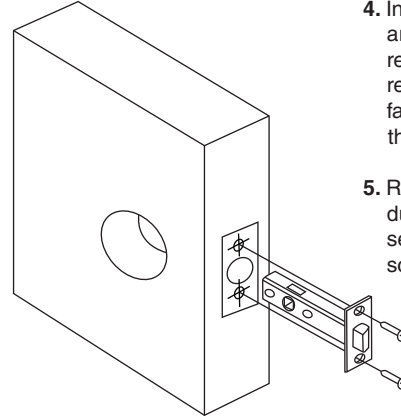
### FUTURA PASSAGE SET

#### Product codes:

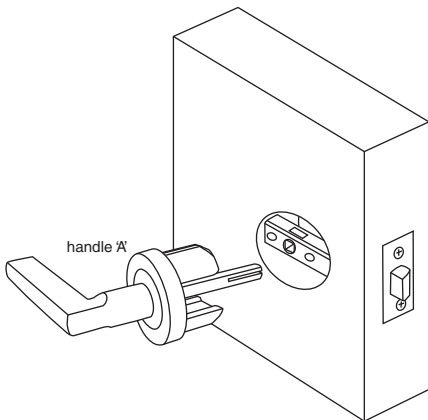
9019 | 9023 | 9027 | 9031 | 9037 | 9041



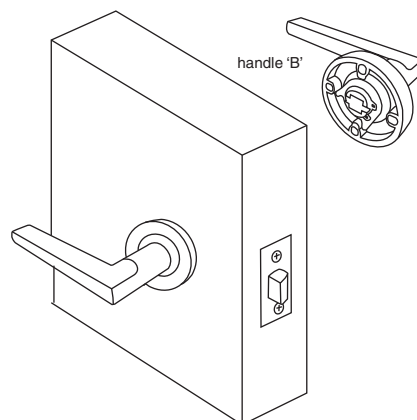
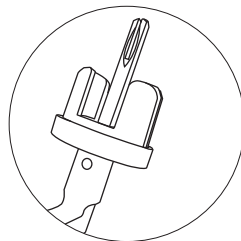
1. Measure the door thickness and mark the centre at the desired height for the latch.
2. Drill a 25mm (1") diameter hole through the door edge to a depth of at least 90mm. Ensure this hole is square to the door.
3. Mark the face of the door each side for drilling a 48mm diameter hole. The centre of the spindle hole will need to be 60mm from the door edge (backset). We recommend using a 48mm hole saw. For clean cut-outs, drill from both sides, meeting in the middle of the door.



4. Insert the latch, scribe around the faceplate, remove, then chisel out recess to enable the latch faceplate to sit flush with the door edge.
5. Remove any loose saw dust, insert the latch and secure it with the wood screws provided.

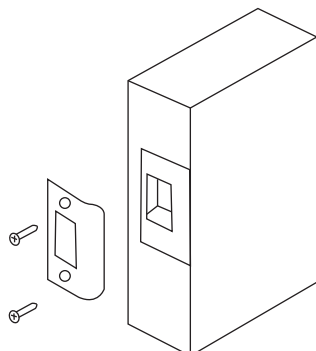


6. Insert handle 'A' in the 48mm hole with the spindle and rapidFIT® attached and press against the door. Ensure the grooved side of the spindle is aligned with the grubscrews on the handles.

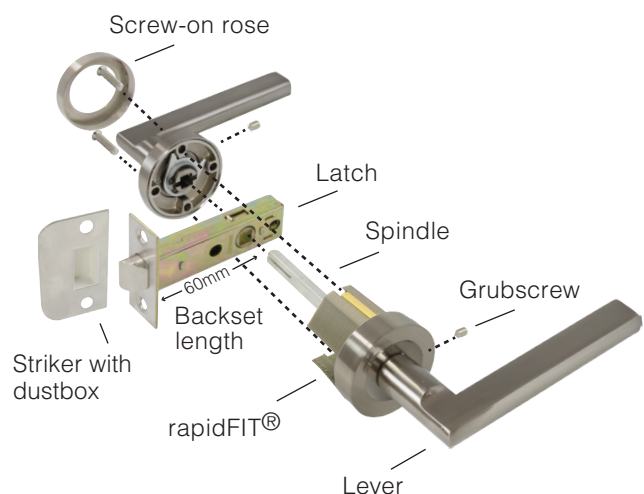


7. Insert 'handle B' over the spindle. Ensure the handles are straight before securing the through fixing screws.
8. Screw the rose cover onto the handle and tighten the grubscrews on the side of the levers onto the spindle for each side of the door. For the square rose (Futura Elite) press on the rose cover and tighten the grubscrew on the side of the rose.

*Note: The grubscrews may need a re-tighten after a bedding-in period. We recommend medium strength thread-lock to be used, Windsor code: 1276*



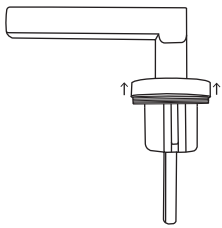
9. Close the door against the frame and mark the latch position for fitting of the striker.
10. Router or chisel so the striker fits flush, allowing for the plastic dustbox behind the striker.
11. Secure the striker with the wood screws provided. Test the door and if necessary, adjust the striker anti-rattle tab to take up any rattle.



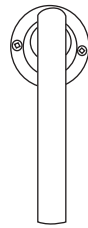
### FUTURA PASSAGE SET - rapidFIT REMOVED

#### Product codes:

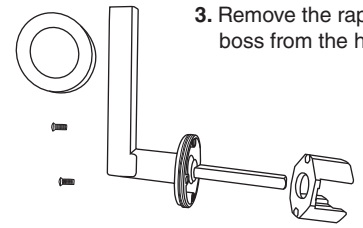
9019 | 9023 | 9027 | 9031 | 9037 | 9041



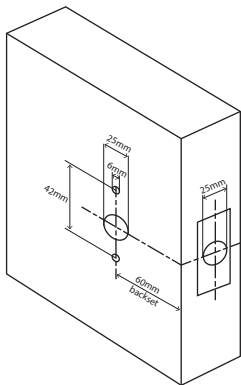
1. Remove the rose cover from the handle.  
For the round roses unscrew rose cover.  
For the square roses (Elite) unscrew the grub screw on the side of the rose and pop off the rose cover.



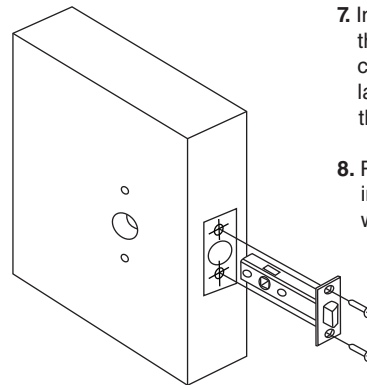
2. Remove the screws with the red screw head.



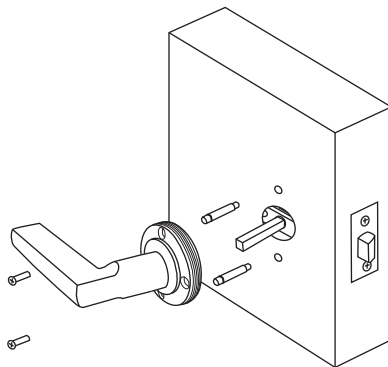
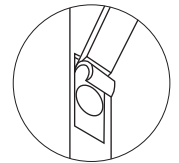
3. Remove the rapidFIT boss from the handle.



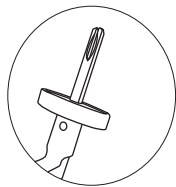
4. Measure the door thickness and mark the centre at the desired height for the latch.
5. Drill a 25mm (1") diameter hole through the door edge to a depth of at least 90mm. Ensure this hole is square to the door.
6. Mark the face of the door each side for drilling a 25mm diameter spindle hole. The centre of the spindle hole will need to be 60mm from the door edge (backset). Mark two 6mm screw holes at 21mm above and below the centre of the spindle hole. For clean cut-outs, drill from both sides, meeting in the middle of the door.



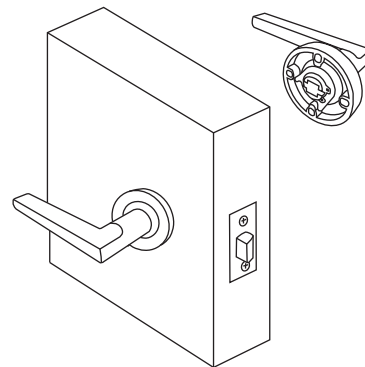
7. Insert the latch, scribe around the faceplate, remove, then chisel out recess to enable the latch faceplate to sit flush with the door edge.
8. Remove any loose saw dust, insert the latch and secure it with the wood screws provided.



9. Unscrew the rose covers from the levers and unscrew the bolts from the threaded sleeves.
10. Insert the spindle into the latch so an even amount protrudes on each side of the door. Ensure the grooved side of the spindle will align with the grub screws on the handles.
11. Insert the threaded sleeves into the oval holes in the back of the rose at two vertical positions. Screw the short bolts from the top of the rose through into the threaded sleeves.

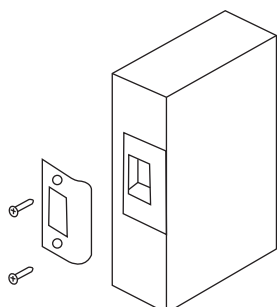


12. Slide the handle over the spindle and press against the door.



13. Insert the handle on the opposite side of the door over the spindle and tighten the long bolts through the rose into the threaded sleeves.
14. Screw the rose covers onto the handles and tighten the grub screws on the side of the levers onto the spindle for each side of the door. For the square rose (Futura Elite) press on the rose covers and tighten the grub screws on the side of the rose.

*Note: The grub screws may need a re-tighten after a bedding-in period. We recommend medium strength thread-lock to be used. Windsor code:1276*



15. Close the door against the frame and mark the latch position for fitting of the striker.
16. Router or chisel so the striker fits flush, allowing for the plastic dustbox behind the striker.
17. Secure the striker with the wood screws provided. Test the door and if necessary, adjust the striker anti-rattle tab to take up any rattle.