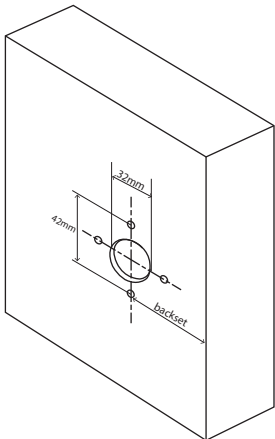


### HALO DUMMY LEVER

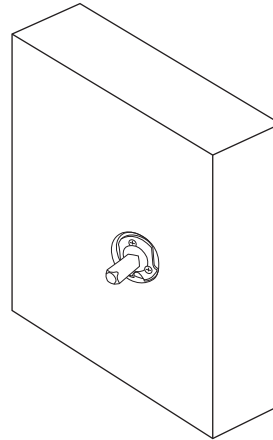
Product codes:  
9201D | 9211D | 9221D

Windsor 1152 8mm dummy fix mounts are designed to be recessed and screwed onto the door face, with the handle slipping over the top. The handle base plate is then screwed to, or bolted through the door.

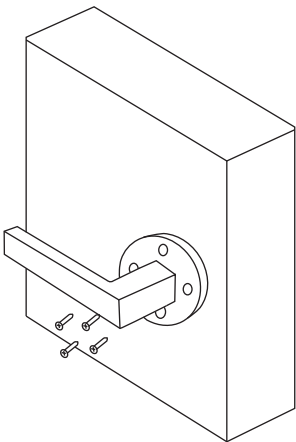
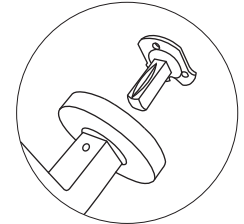
*Note: It is important to ensure solid fixing is available for handle and dummy mount screws (especially for hollow core doors).*



1. Establish the height and position for the handle on the door.
2. Drill a 32mm diameter recess on the face of the door to a depth of 4mm. Match the backset measurement of the passage doors throughout your home. Mark and drill four pilot holes vertically and horizontally, at 42mm crs.

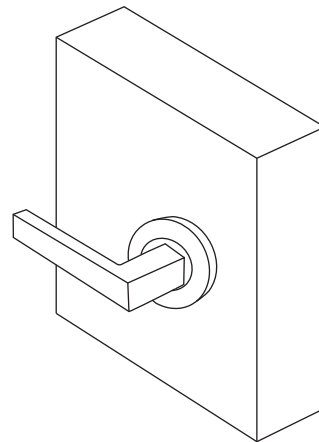


3. Fit the dummy spindle by drilling and fitting the three wood screws provided. Ensure the grooved side of the spindle is aligned with the grubscrew on the handle.



4. Slide the handle onto the spindle ensuring that it sits straight on the door face.
5. Install the handle by screwing the base plate to the door with the wood screws provided.

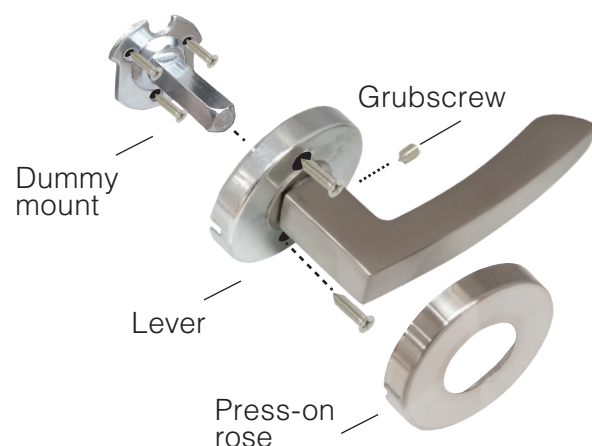
*Note: In some cases where through door bolts are provided, the door can be drilled both sides to accept the through screws.*



6. Press the rose cover onto the handle and align the dimples on the sides of the rose. Tighten the grubscrews on the side of the lever onto the spindle.

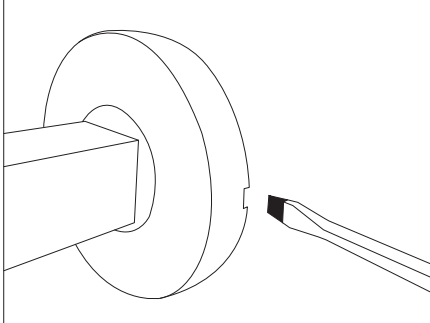
*Note: The grubscrews may need a re-tighten after a bedding-in period. We recommend medium strength thread-lock to be used, Windsor Code: 1276*

*Note: If the 1152 dummy fix mount is not fitted, there is no warranty on Halo dummy levers.*

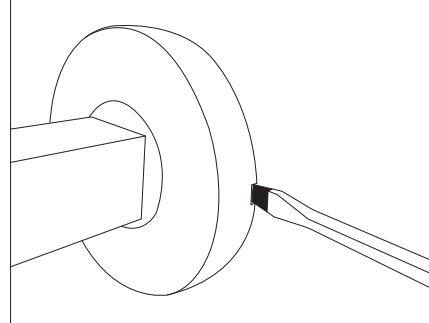


**HALO - ROSE COVER REMOVAL**

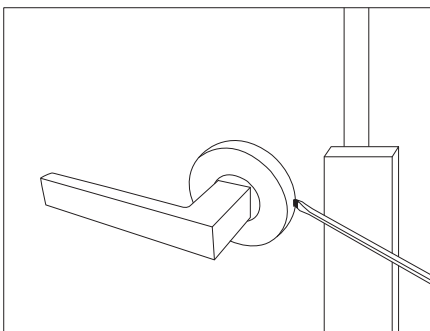
**Product codes:**  
9201D | 9211D | 9221D



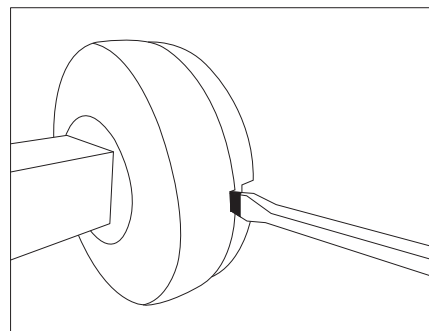
**1.** To remove the rose cover off the handle, use a flat head screwdriver, ideally the same width as the groove on the side of the rose.



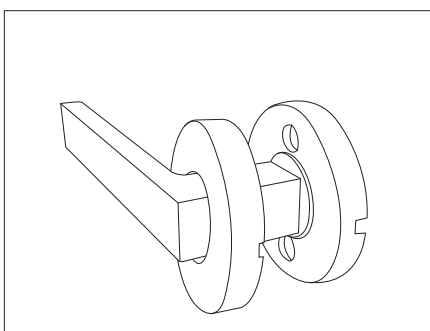
**2.** Insert the screwdriver into the groove on the side of the rose.



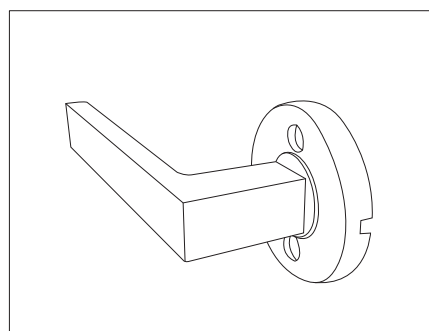
**3.** To protect the door from getting damaged, use a small wooden block or something similar and use the screwdriver as a lever.



**4.** Lever the rose cover off the handle. The rose cover will pop off.



**5.** Carefully slide the loose rose cover off the handle.



**6.** The screws can now be accessed and unscrewed.