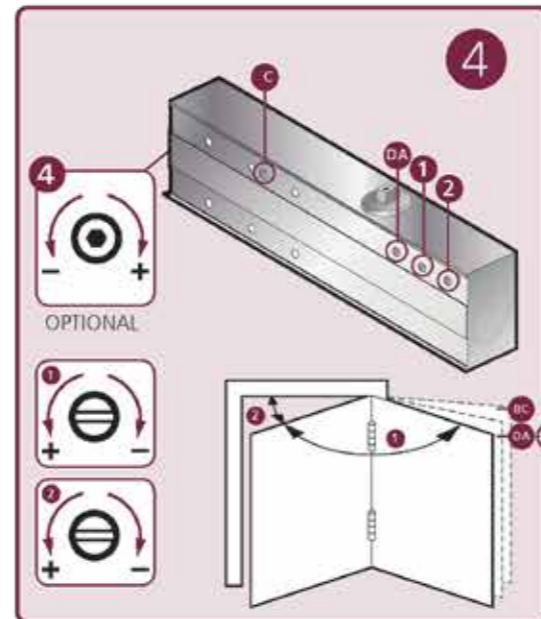
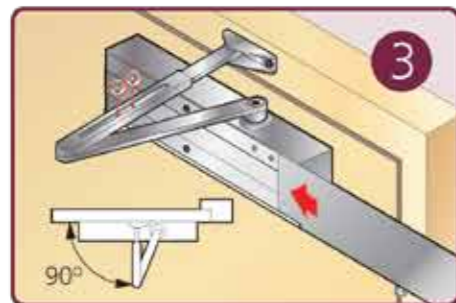
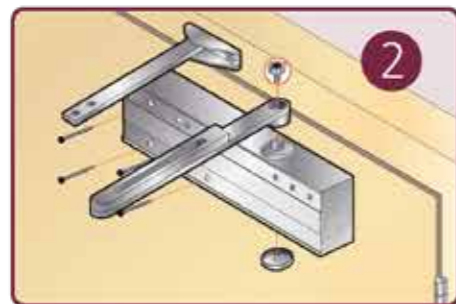
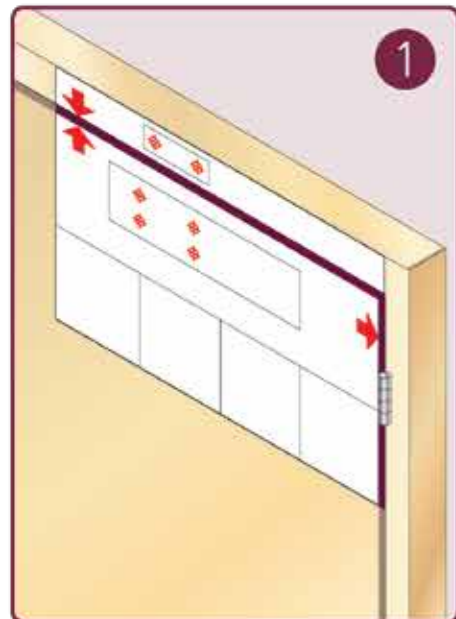
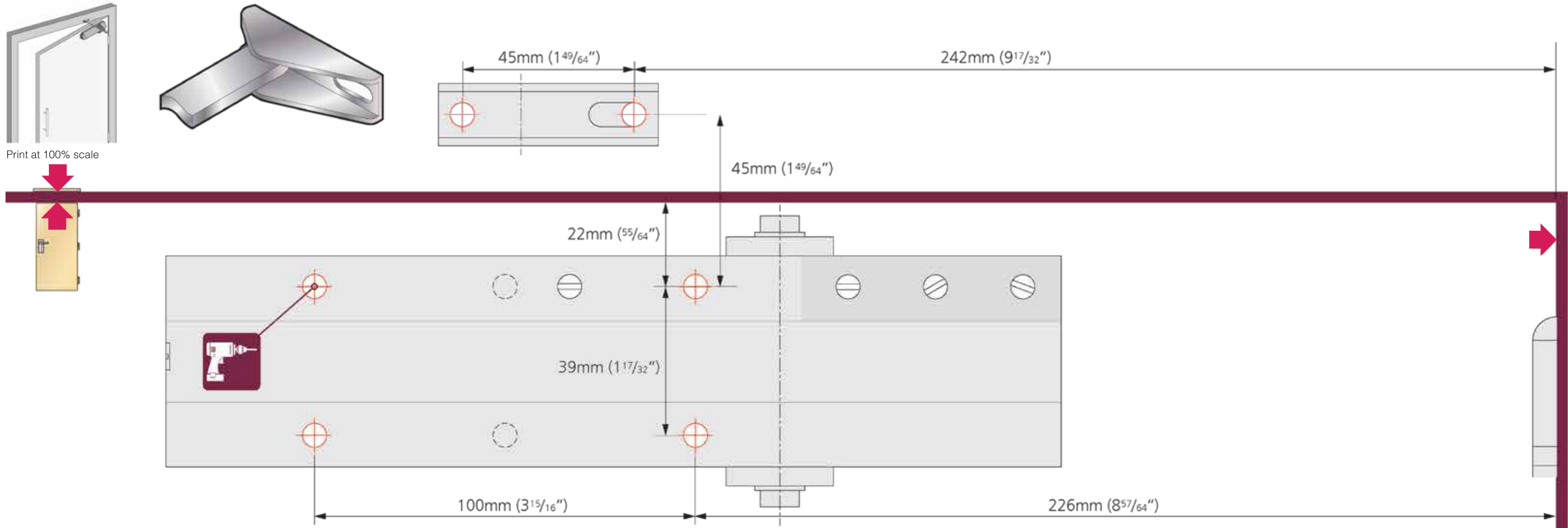


**EN 2-5 Power Adjustment**

④	🎯	📏	↔️	📐	🏋️
No. of turns	EN Size	Max. door width	Max. opening angle	Max weight	
-5	2	850mm	180°	45	
+0	3	950mm	180°	60	
+5	4	1100mm	180°	80	
+9	5	1250mm	110°	110	

\* FACTORY PRE-SET

The Pinion Bolt must be tightened to 12NM.



**EN 2-5 Power Adjustment**

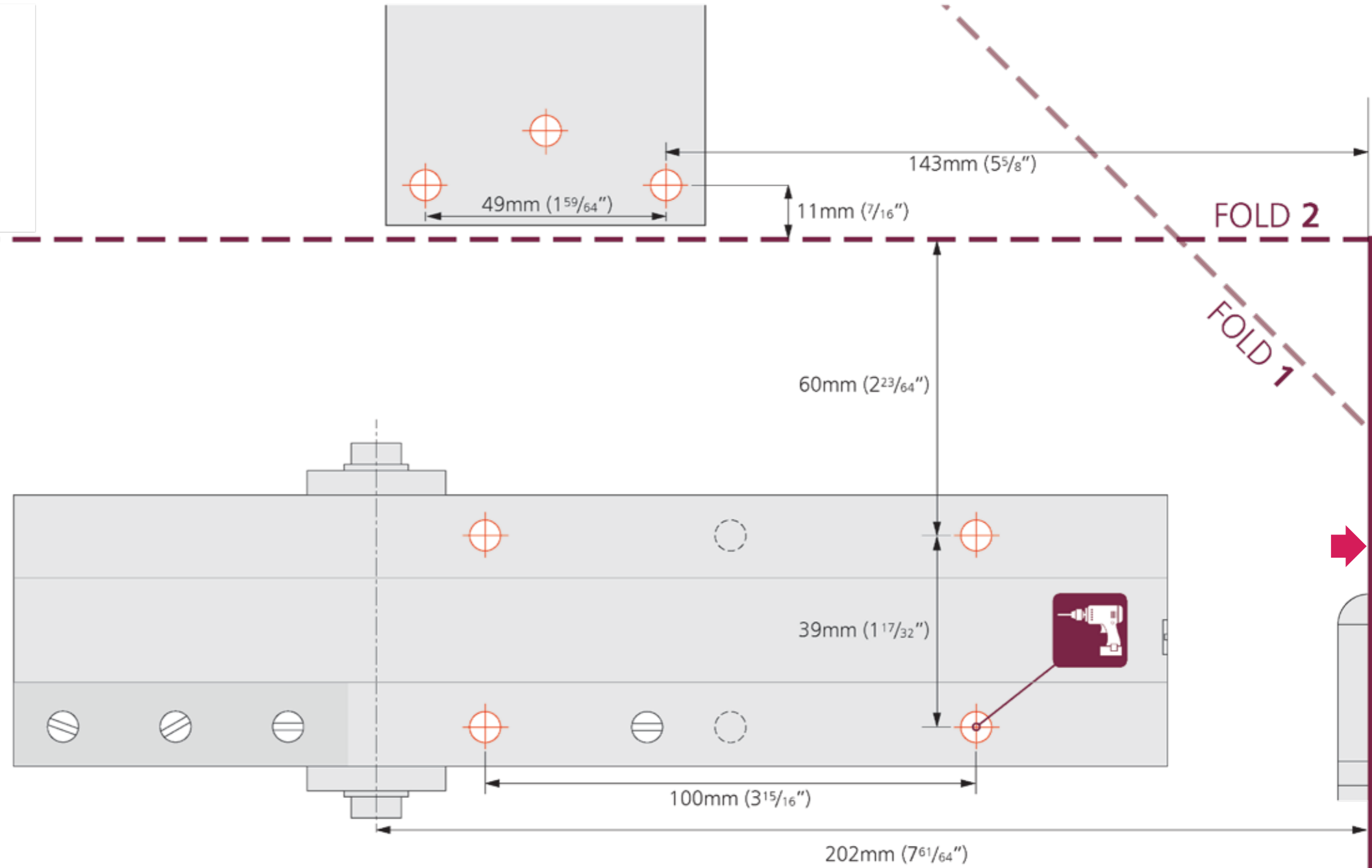
4	No. of turns	EN Size	Max. door width	Max. opening angle	Max weight
-	-5	2	850mm	180°	45
0	+0	3	950mm	180°	60
+	+5	4	1100mm	180°	80
+	+9	5	1250mm	110°	110

\* FACTORY PRE-SET

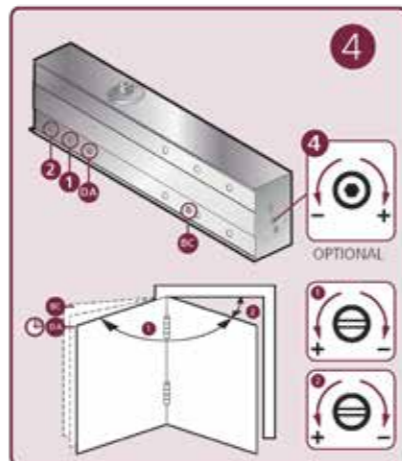
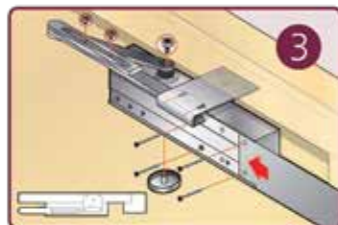
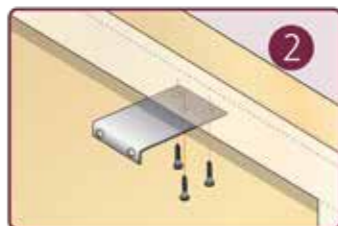
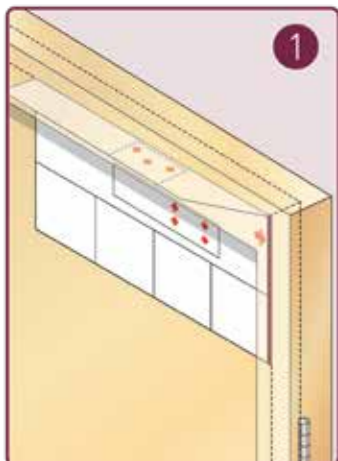
The Pinion Bolt must be tightened to 12NM.



Print at 100% scale



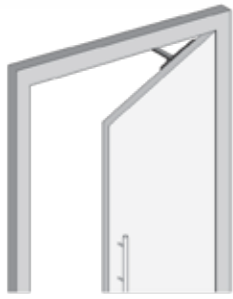
The Pinion Bolt must be tightened to 12NM.



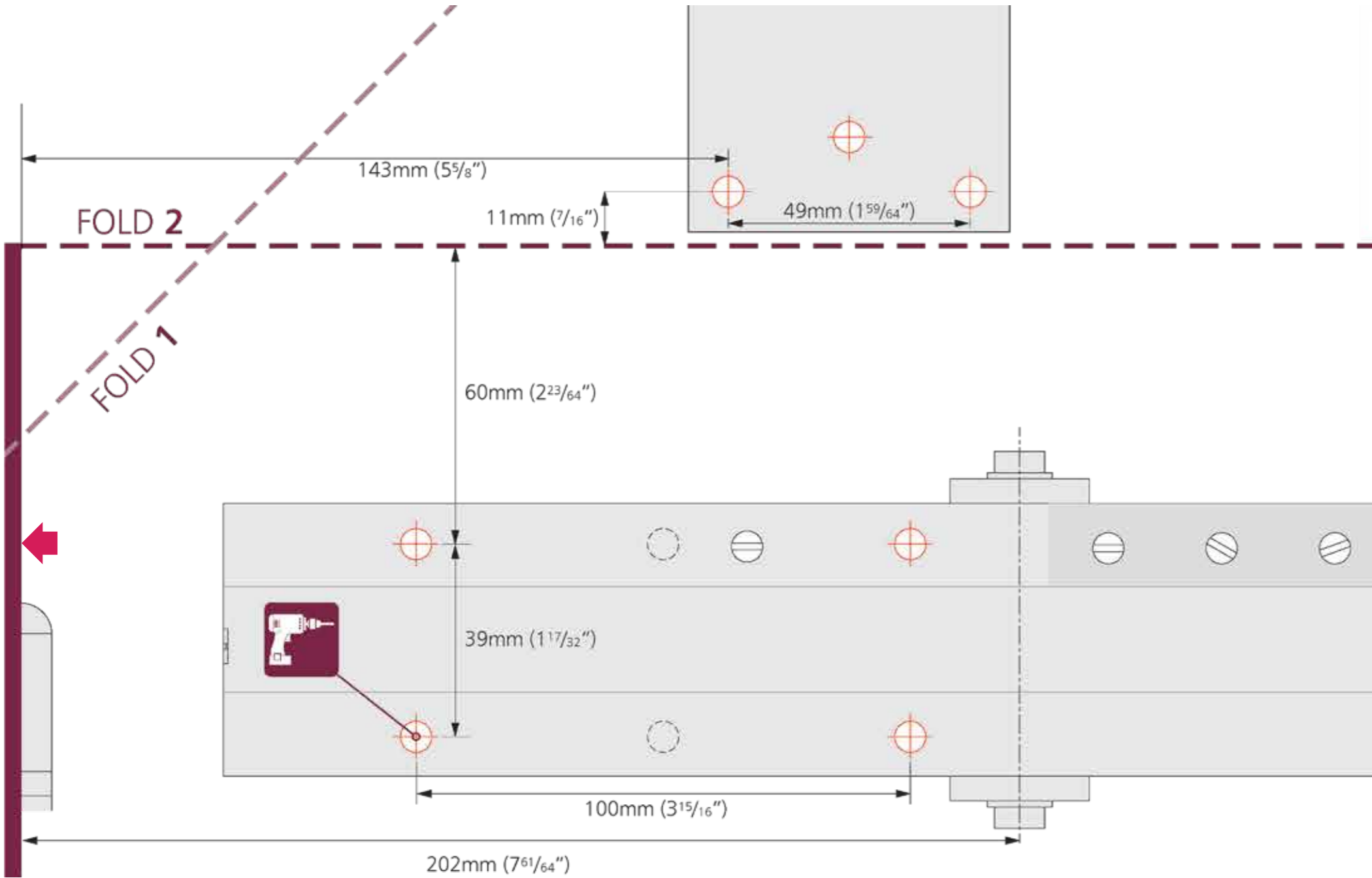
**EN 2-5 Power Adjustment**

No. of turns	EN Size	Max. door width	Max. opening angle	Max weight
-5	2	850mm	180°	45
+0	3	950mm	180°	60
+5	4	1100mm	180°	80
+9	5	1250mm	110°	110

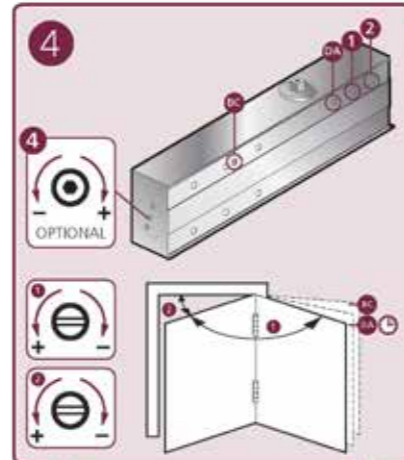
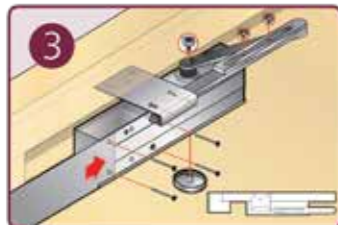
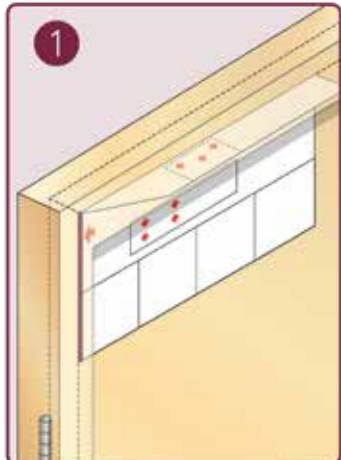
\* FACTORY PRE-SET



Print at 100% scale



The Pinion Bolt must be tightened to 12NM.



**EN 2-5 Power Adjustment**

No. of turns	EN Size	Max. door width	Max. opening angle	Max weight
-5	2	850mm	180°	45
+0	3	950mm	180°	60
+5	4	1100mm	180°	80
+9	5	1250mm	110°	110

\* FACTORY PRE-SET