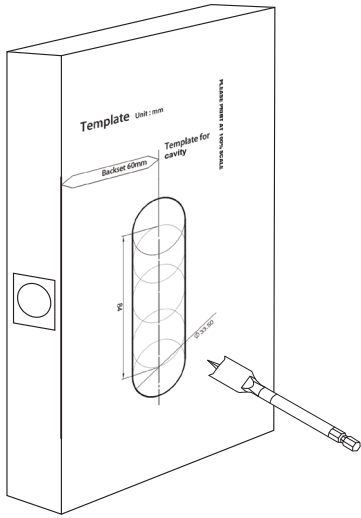
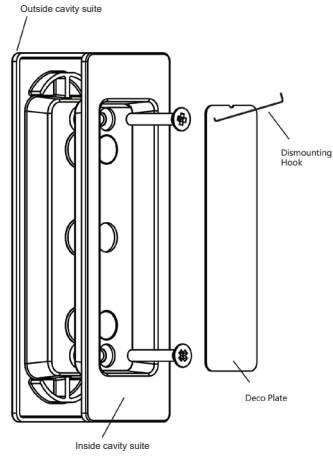


CAVITY SUITE PASSAGE SET

Product codes: 5401



1. Place the template where indicated on the door, lining up the 60mm backset vertical line with the edge of the door.
2. Firmly hold the template in place. Use the vertical line as a guide for drilling a series of holes that overlap. For clean cut-outs, drill from both sides, meeting in the middle of the door. Chisel out the remaining wood to provide clearance for inserting the flush pull. Remove any loose saw dust.
3. Choose the desired positioning on the door edge for the edge pull. Mark the preferred height ensuring it is in the centre of the door edge using a pencil. Use a 24mm drill bit to bore the hole to a minimum depth of 25mm.
4. Insert the edge pull into the hole ensuring the face is sitting square. Tap it into place with a soft mallet. Builders adhesive can be used if desired.



5. Insert the outside flush pull into the cavity in the door face, then insert the inside flush pull and tighten the bolts. Trim the bolts to the correct length if necessary.
6. Attach the deco plate which is being held in place by magnets. It can be disassembled with the dismounting hook provided.

DOOR THICKNESS

Door thickness	Bolt length
31~35 mm	12 mm
35~40 mm	18 mm
40~45 mm	22 mm
45~55 mm	28 mm

PLEASE PRINT AT 100% SCALE

