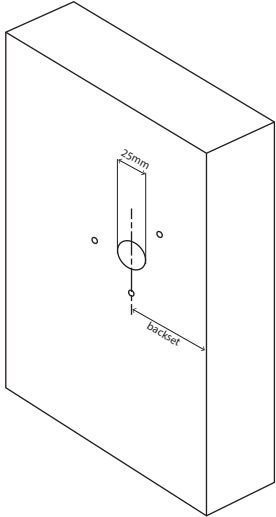
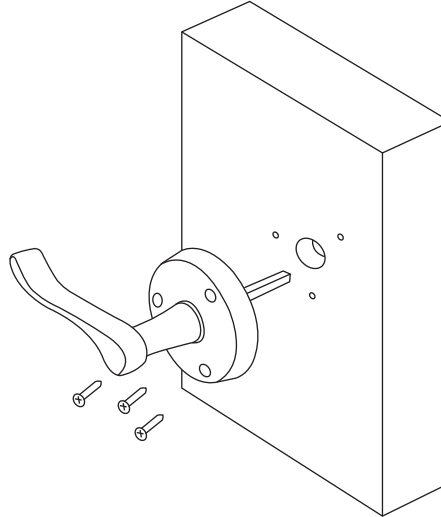


BELMONT ROUND ROSE LEVER SET

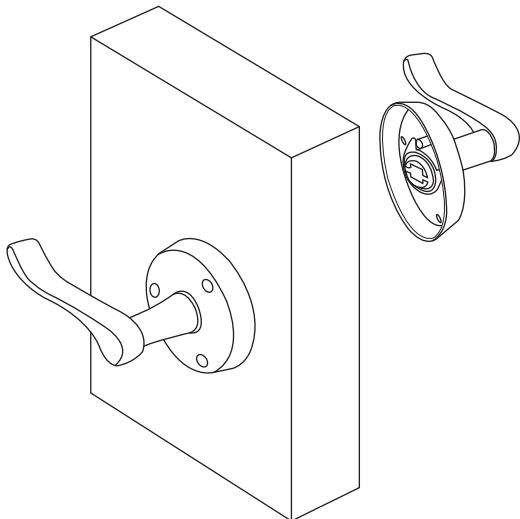
Product codes: 7012 | 7013



1. Establish the height and position for the handles on the door.
2. Mark the face of the door each side for drilling a 25mm diameter spindle hole. Match the backset measurement of the passage doors throughout your home. For clean cut-outs, drill from both sides, meeting in the middle of the door.
3. Mark and drill three pilot holes on each side of the door in the positions of the screw holes in the roses of the handles.



4. Insert the spindle into one handle.
5. Slide the handle with the spindle attached into the spindle hole ensuring that it sits straight on the door face.
6. Install the handle by screwing the rose to the door with the wood screws provided.



7. Slide the handle on the opposite side of the door onto the spindle ensuring that it sits straight on the door face.
8. Install the handle by screwing the rose to the door with the wood screws provided.