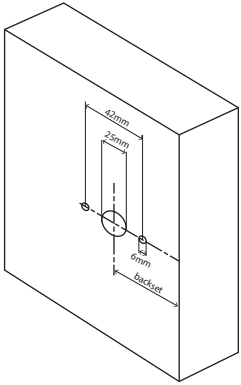


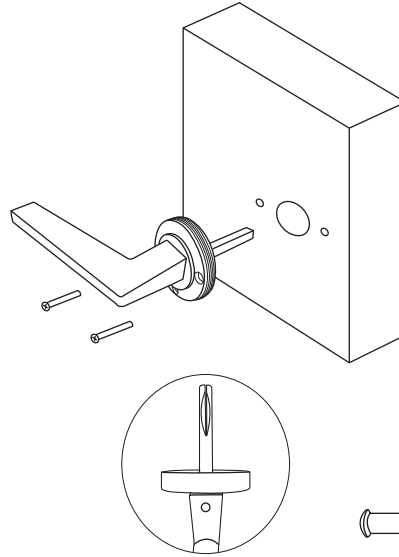
### ASTRON LEVER SET

Product codes: 7015 | 7019 | 7030  
7050 | 7058 | 7106 | 7113 | 7149

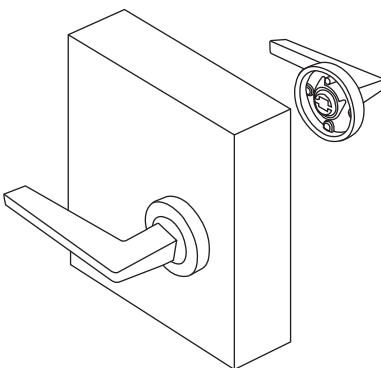
Astron Lever Sets are typically used on double doors without a latch. If used with a mortice lock refer to mortice lock instructions.



1. Establish the height and position for the handles on the door.
2. Mark the face of the door each side for drilling a 25mm diameter spindle hole. Match the backset measurement of the passage doors throughout your home. For clean cut-outs, drill from both sides, meeting in the middle of the door. Mark and drill two 6mm screw holes at 21mm to the left and to the right of the centre of the spindle hole.



3. Unscrew the rose covers from the levers and unscrew the bolts from the screw caps.
4. Insert the spindle into the the handle Ensure the grooved side of the spindle will align with the grub screws on the handles.
5. Insert the long through fixing bolts through the face of the handle at two horizontal positions. Insert the handle into the hole and press against the door.



9. Trim the bolts to the correct length if necessary. Insert the handle on the opposite side of the door over the spindle. Insert the screw caps and tighten the long bolts through into these caps.
10. Screw the rose covers onto the handles and tighten the grub screws on the side of the levers onto the spindle for each side of the door.

*Note: The grub screws may need a re-tighten after a bedding-in period. We recommend medium strength thread-lock to be used, Windsor code:1276*